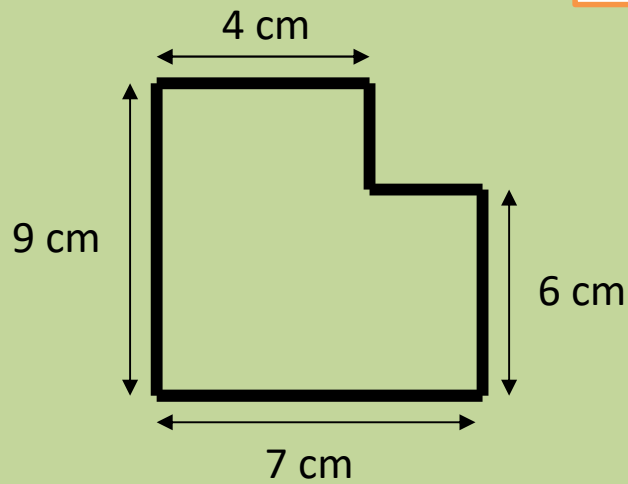


17/11/2020

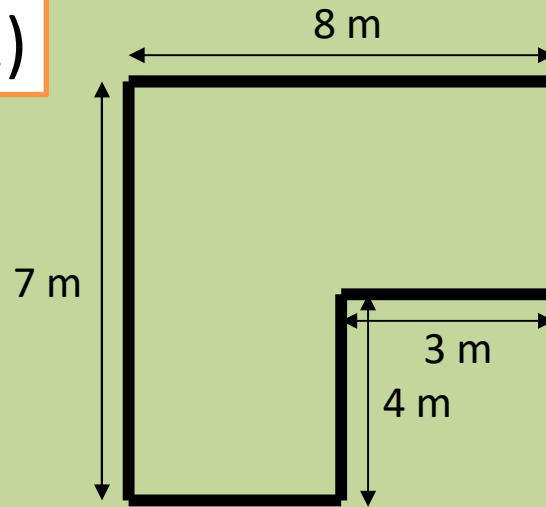
# Area and Perimeter

MATHSWATCH CLIP  
52, 53, 54, 55, 56  
GRADE  
2

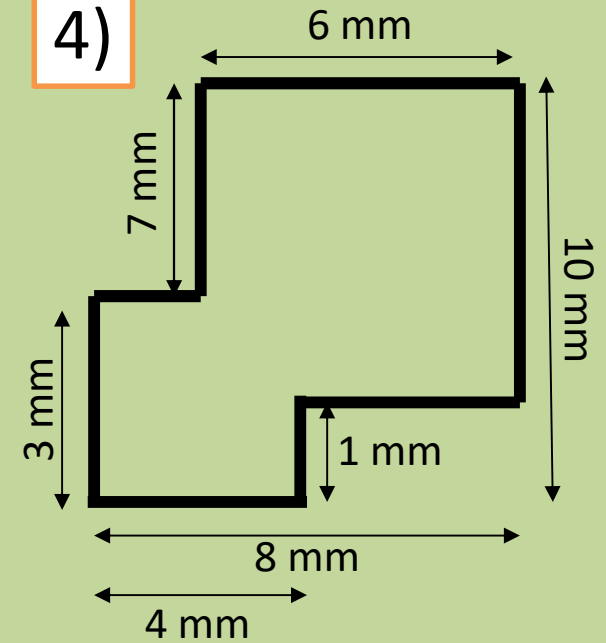
1)



2)



4)



3)

